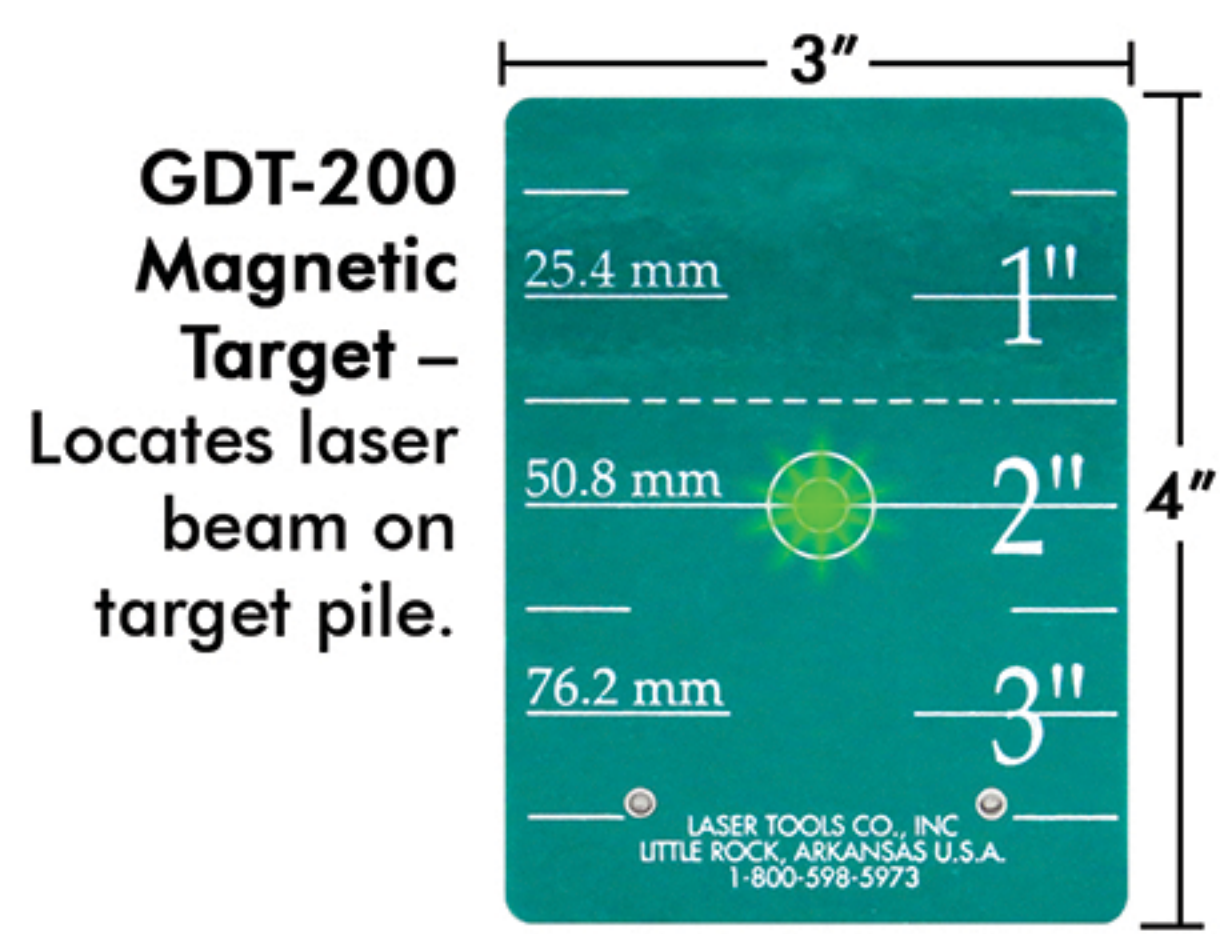


AP36 Vibration Dampening System – Minimizes Laser Beam Drift when driving piles into the ground.

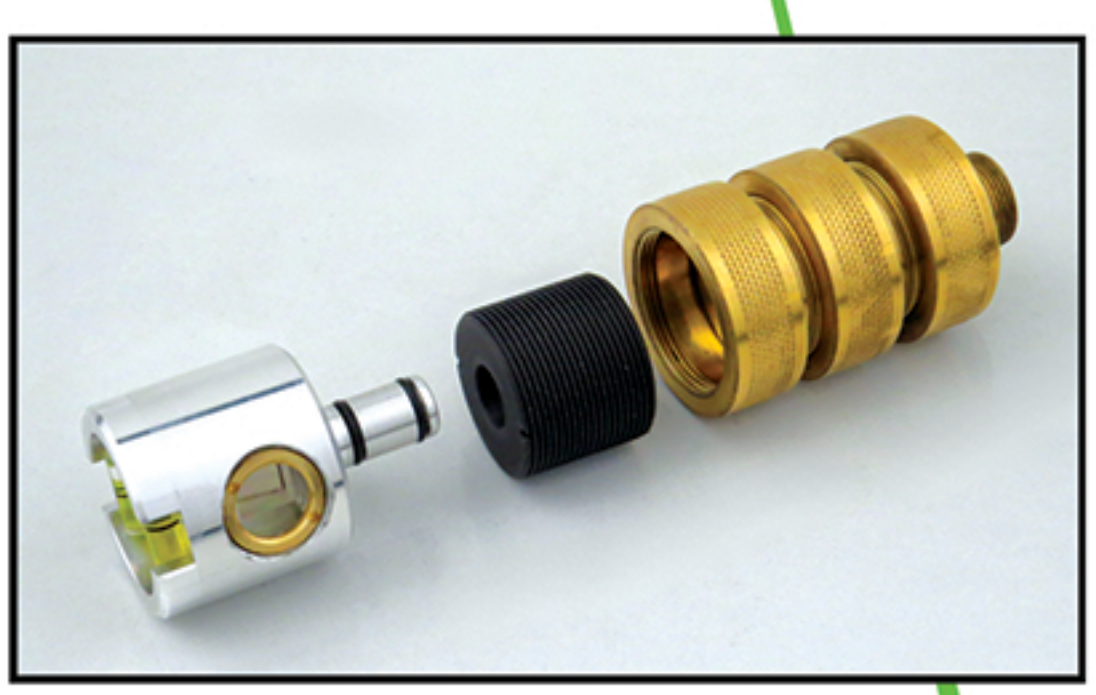
AP35 Support Bracket – Mount the laser to the pile with an offset so the laser beam is not blocked by refusals. Can be used with the AP1000 Leveling Adapter Plate.

Use to install Solar Energy support brackets on commercial buildings and PV Panel Solar Fields.



AP90D Beam Bender™

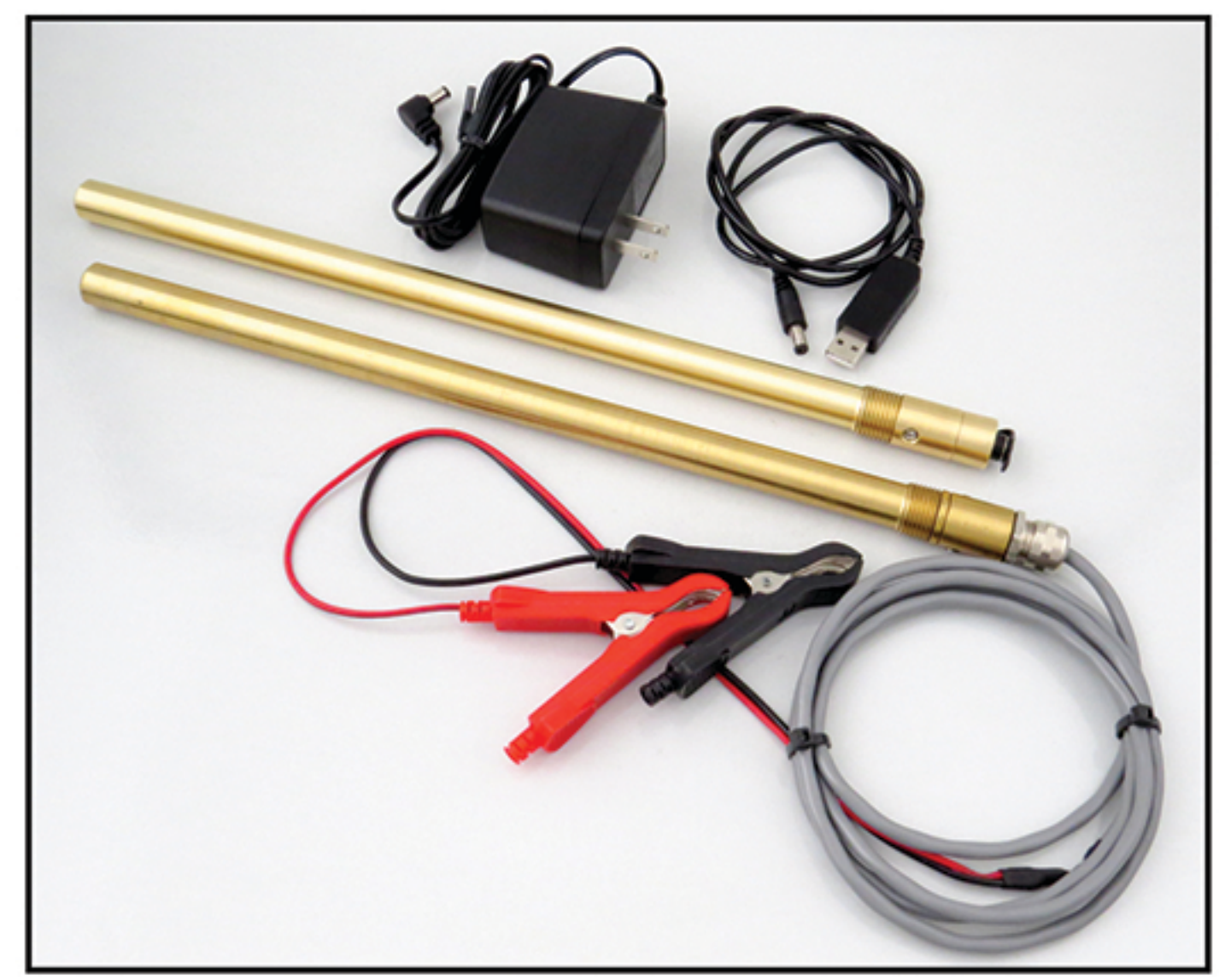
WP59 Fine Beam Steering Optics



AP90D Beam Bender™ – Layout brackets and support frames.

WP59 Fine Beam Steering Optics – Adjust and Maintain laser beam on target.

BE9V Battery Eliminator – Replaces 6-AA batteries and operates with 12V @ 150mA, 2.1mm power jack. Portable power options include USB power or Alligator type power connections.



ORDER NOW!
(800) 598-5973

Manufactured by Laser Tools Co., Inc.,
 12101 Arch St., Little Rock, AR 72206
 Tel: 501-562-0900 | FAX 501-562-0022
www.LaserToolsCo.com | info@lasertoolsco.com
 Copyright Sept 2024



AVOID EXPOSURE
 Laser radiation is emitted from this aperture

DANGER

LASER RADIATION
 Avoid direct eye exposure
 Maximum Output Power
 <5mW @ 635-520nm
 Class IIIa Laser Product